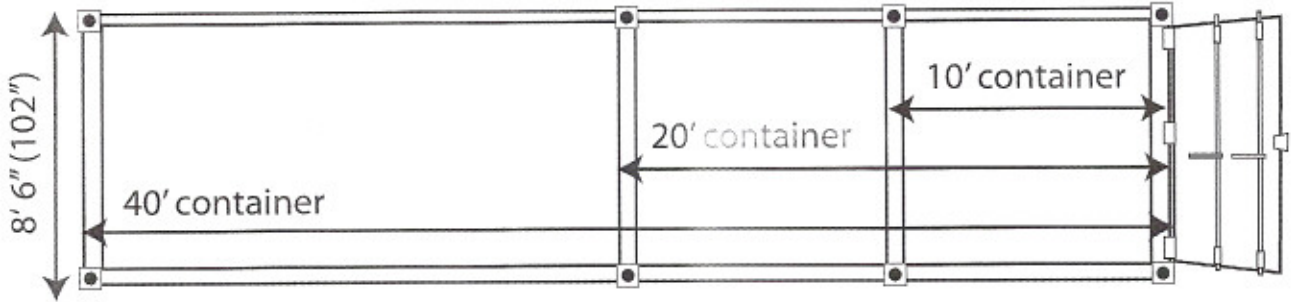
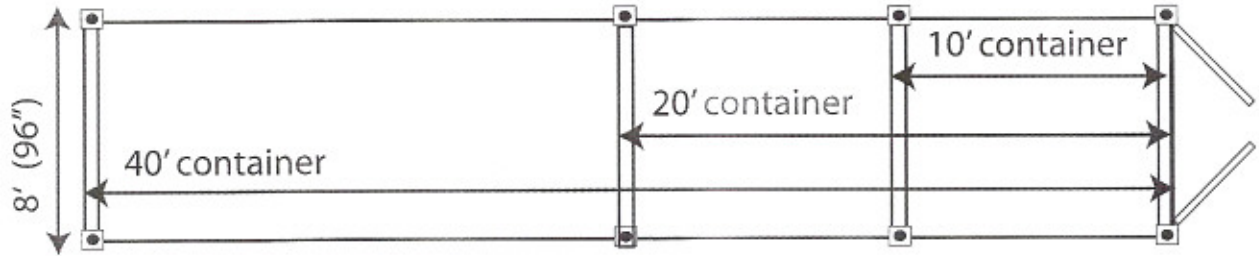


Storage Container Specifications

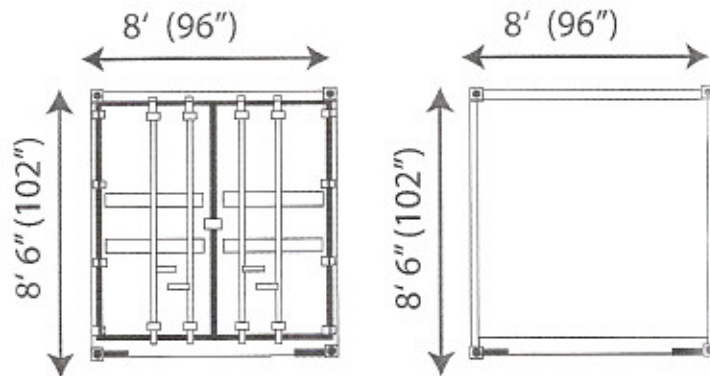
SIDE VIEW



TOP VIEW



END VIEWS



Storage Containers

- Length: , 20', or 40'
- Height: 8' 6"
- Width: 8'
- Tare Weight*:

20': 5,015 lbs.

40': 8,377 lbs.

- Flooring: 1 1/16" marine grade plywood
- Corrugated steel sides/ end walls
- Watertight gaskets around cargo doors

- Entry will accommodate pallet loading/unloading

*Specifications may vary depending upon manufacturer and year.